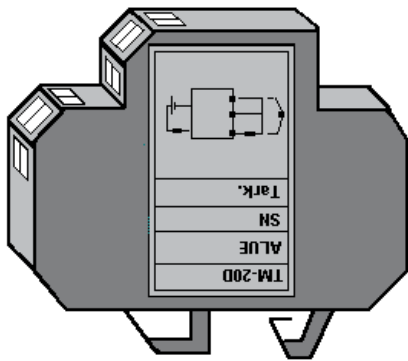


TM-2/20D 2 wire temperature transmitter



TM series temperature transmitters are converters equipped with Pt-100 ohm resistance sensors and type K thermocouples that transfer the measured temperature with a linearised 2 wire 4-20 mA output.

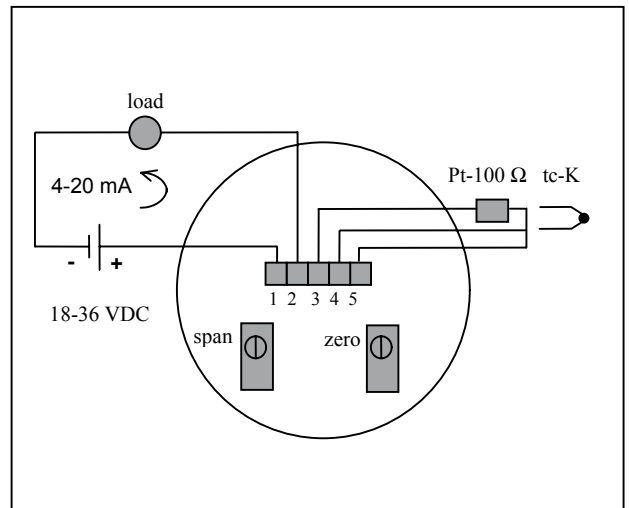
There are two different types of construction: the sensor connection box TM-2 and the rail DIN connection TM-20D transmitters.

Transmitters have a screw connection input and output connections with zero/span-trimmers located on the cover for on-site fine adjustment.

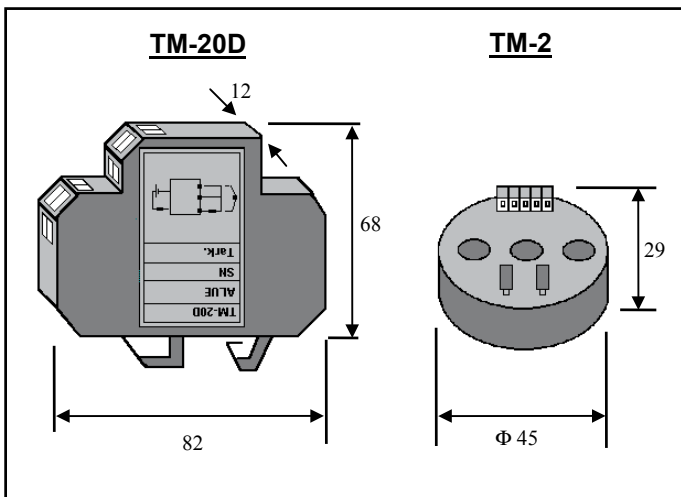
TECHNICAL INFORMATION

Inputs:	1) Pt-100 ohm resistance sensor, 2 wire connection 2) K-type thermocouple (Ni-CrNi) automatic cold junction compensation
Meas. ranges:	Pt-100 ohm whole range -200...+800°C narrow range 50°C Ni-CrNi whole range 0...+1200°C narrow range 200°C
Precision:	Pt-100 ohm ±0.1% NiCrNi ±0.3%
Output	4-20 mA output, loading (see figure)
Operating temperature	-25...+70°C, temperature dependence < 0.01 %/°C
Power supply:	18-36 VDC ± 10%
Tunability	±5% of range with zero/span-trimmer

CONNECTIONS



CONSTRUCTION



ORDERING INFORMATION

TM-2/R	2 wire box transmitter Pt-100 ohm resistance sensor
TM-2/K	2 wire box transmitter Ni-CrNi thermocouple
TM-20D/R	2 wire rail transmitter Pt-100 ohm resistance sensor
TM-20D/K	2 wire rail transmitter Ni-CrNi thermocouple

ADDITIONAL UNITS

TP-1/10	Surface mounting power supply 230V 50Hz / 24 VDC 0.4A
TP-1/50	Surface mounting power supply 230V 50Hz / 24 VDC 1.0A